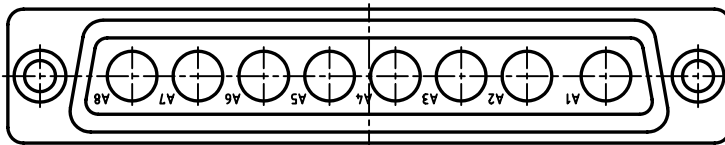
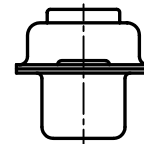
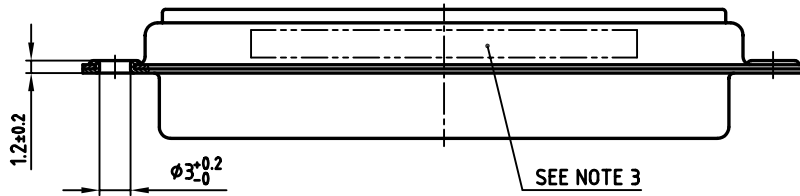
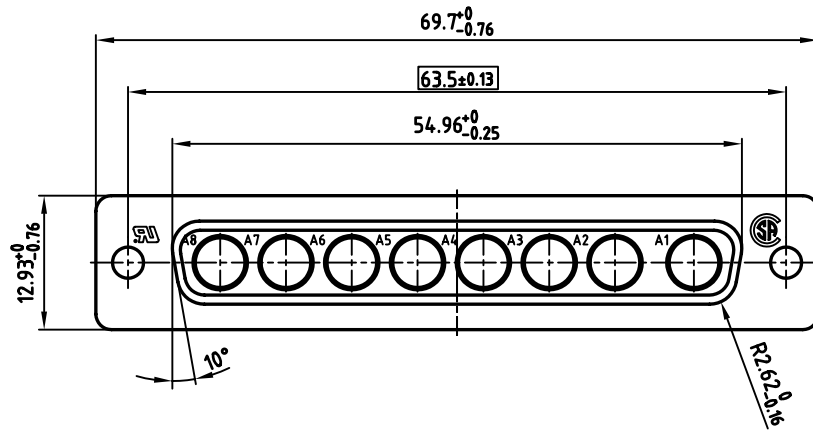
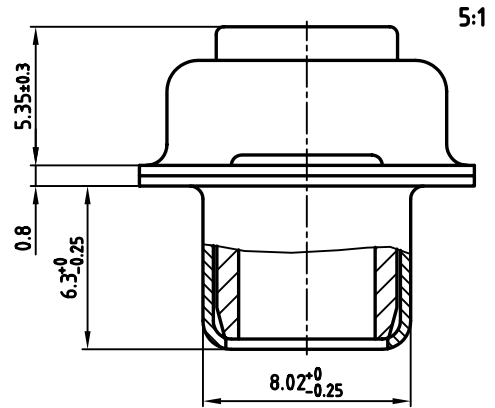


used for: D-SUB COMBINATION



NOTES:

1. METALSHELLS: STEEL; TIN PLATED
2. INSULATORS: PBTP/GF UL 94 V-0; BLACK
3. CONNECTOR IS PART MARKED: PART NO: CONEC Y/WW
4. = CRITICAL DIMENSION

Directive 2002/95/EC
RoHS
Compliant

THIS DRAWING MAY NOT BE COPIED OR REPRODUCED IN ANY WAY, AND MAY NOT BE PASSED ON TO A THIRD PARTY, WITHOUT WRITTEN PERMISSION. OWNERSHIP AND COPYRIGHT OF CONEC GmbH DO NOT ALTER CAD DRAWING BY HAND

| rev. | description | date | name |
|------|-------------|------|------|
| | | | |
| | | | |
| | | | |
| | | | |
| | | | |
| | | | |
| | | | |
| | | | |
| | | | |
| | | | |

| | | | |
|--------------------------|--------|--------------|---|
| tolerance | | | scale: 2:1 (5:1) |
| material: | | | SEE NOTES |
| 1997 | date | name | title: D-SUB COMBINATION FEMALE 8W8S |
| drawn | 29.07. | Barcinski | |
| appd. | 29.07. | Mickenbecker | |
| norm | | | |
| d-old | | | dwg no: AutoCAD/REL.13 |
| | | | DIN-A |
| part no: 3008W8SXX99A10X | | | 3 |
| | | | sh: 1/1 |

| | | |
|--------------------------|--|---------|
| dwg no: AutoCAD/REL.13 | | DIN-A |
| 16K11BKA | | 3 |
| part no: 3008W8SXX99A10X | | sh: 1/1 |